



## AIROS™ PG Series



The AIROS™ PG Series is the latest generation of Bimba air preparation equipment developed to meet the needs of today's customer. It offers exceptional performance, is compact and lightweight with no compromise on robustness, and is suitable for all industrial applications. Specialized options add flexibility for ultra sensitive and unique applications.

### AIROS™: All-Encompassing Air Preparation Options

AIROS is Bimba's complete family of air preparation equipment. The AIROS line encompasses the full breadth of filter, regulator, and lubricator (FRL) technologies on the market, as well as the supporting accessories. Paired with Bimba's full line of pneumatic options gives you unprecedented access to the complete pneumatic circuit, all in one place.

### General Specifications

- Port sizes 1/4", 3/8", 1/2" or 3/4"
- Thread type PTF
- Fluid: Compressed air
- Maximum inlet pressure:
  - Polycarbonate bowl 150 psi (10 bar)
  - PG200 metal bowl: 246 psig (17 bar)
  - PG400 metal bowl: 290 psig (20 bar)
- Maximum temperature:
  - Polycarbonate bowl 140°F (60°C)
  - Metal bowl 149° F (65° C)
- All internal and external surfaces are protected with an Electrophoretic paint coating providing excellent corrosion and chip resistant protection

- ▶ Rotating safety shut-off valve
- ▶ Robust metal construction
- ▶ Flush mounted integrated gauge
- ▶ Enhanced filter maintenance system
- ▶ Reduced weight and size maximizes machine real estate

314-427-0600

[www.jhf.com](http://www.jhf.com)

### Modular Flexibility

- All bodies have standard Quikclamp flanges for fast modular installation
- All bodies are threaded 1/4", 3/8", 1/2" or 3/4" PTF
- Keyhole mounting slots in the Quikclamp brackets to easily mount and dismount units

### High Performance

- Can operate at 100<sup>3</sup> air flow through a 1/2" (12.7mm) diameter pipe to minimize pressure drop in system.
- High performance makes 3/4" porting possible. Depending on flow requirements, 3/4" porting makes these products a low cost alternative to larger 3/4" basic systems, resulting in:
  - Space savings
  - Purchase cost savings
- All major components are of die cast metal
  - Gives exceptional strength & long life in most applications
  - Quikclamps & inline combos can withstand high torque or bending moments

### Easy to Mount

- Easy to mount choices
  - Pipe mounted
  - Universal bracket for single installations
  - Panel mounted (for pressure regulators, filter-regulators)
  - Quikclamp (with or without wall bracket) for rapid modular assembly
  - Integrated gauge, manual drain or auto-drain with PIF, is ready to fit 'out of the box'
- Products are only 70mm port to port



### General Purpose Filter

- PGF200 port size: 1/4" and 3/8" (PTF)
- PGF400 port size: 3/8", 1/2", 3/4" (PTF)
- PG series design allows in-line installation or modular installation with other PG series products
- Double safety lock bowl
- 5 or 40 micron particle and high efficiency water removal (> 95%)
- Metal bowl with prismatic liquid level indicator lens
- Lightweight polycarbonate bowl
- Air purity classes in accordance to ISO 8573-1:2010 particles class 6 or 7 and liquid water class 8



### Coalescing Filter

The PGFL coalescing filter removes oil down to levels no greater than 0.01mg/m<sup>3</sup> - 0.01 micron particulate removal. The pleated element design means this can be achieved in a compact space, while still keeping pressure drop to a minimum.

- PGFL 200 port size: 1/4" and 3/8" (PTF)
- PGFL 400 port size: 3/8", 1/2", 3/4" (PTF)
- PG series design allows in-line installation or modular installation with other PG series products
- High efficiency oil and particle removal
- Double safety lock bowl
- Metal bowl with prismatic liquid level indicator lens
- Lightweight polycarbonate bowl
- Service indicator standard
- Air purity class in accordance with ISO 8573-1: Remaining oil aerosol to class 1



### Oil Vapor Removal Filter

The PGFV series carbon filter ensures oil vapor (odor) is removed from the compressed air supply (0.003mg/m<sup>3</sup> remaining oil).

- PGFV 200 port size: 1/4" and 3/8" (ISO G/NPT)
- PGFV 400 port size: 3/8", 1/2", 3/4" (ISO G/NPT)
- PG series design allows in-line installation or modular installation with other PG series products
- Double safety lock bowl
- Adsorbing type activated carbon element removes oil vapors and most hydrocarbon odors
- Lightweight polycarbonate bowl
- Metal bowl option
- Air purity class in accordance with ISO 8573-1: Remaining oil aerosol to class 0



### SCSQ10 Series Safety Valve

- Port size: 1/2 NPT
- Redundant valve assembly, pneumatic self monitoring with integrated safety muffler
- Requires no cyclical monitoring or evaluation system
- Compatible with AIROS PG400 series air preparation products
- With the appropriate application, performance level "e" (cat. 4) of EN ISO 13849-1 is achieved for the safety function " Pressure building up from '1' to '2' and pressure dropping from '2' to '3'- DGUV approval
- Integrated soft start function



## Pressure Regulators

PGR regulators offer a variety of outlet pressure ranges: 60 psig, 150 psig and 250 psig. The adjustment knob displays a blue band while pressure is being adjusted. Once desired pressure is reached, this disappears when pushed down into the fixed position. This action also reveals a padlock hole, allowing the regulator to be locked. The 17 bar version has a metal bonnet and a T-bar adjustment. This is necessary to ensure easy operation and accurate pressure control at higher pressures. Both versions have a standard integrated pressure gauge. This high visibility gauge fits inside the regulator main body, significantly reducing the risk of damage to the gauge, which has long been the most vulnerable part of an FRL assembly.

- PGR 200 port size: 1/4" and 3/8" (PTF)
- PGR 400 port size: 3/8", 1/2", 3/4" (PTF)
- Push to lock adjusting knob with built in tamper resistant feature
- Easy to read flush mounted integrated pressure gauge as standard
- PG series design allows in-line installation or modular installation with other PG series products



## General Purpose Filter/Regulators

Combine all the features of general purpose filters and regulators, including built in padlock holes, in-bowl filtration cartridge removal, and bowl double safety lock.

- PGR 200 port size: 1/4" and 3/8" (PTF)
- PGR 400 port size: 3/8", 1/2", 3/4" (PTF)
- Push to lock adjusting knob with built in tamper resistant feature
- Easy to read flush mounted integrated pressure gauge as standard
- PG series design allows in-line installation or modular installation with other PG series products



## PG Series Lubrication Systems

### PGL Series Micro-fog® Lubricators

PGL micro-fog® lubricators have a unique micro-mist fog generator built into the unit that can create a very fine mist of particles (<2 micron). These particles are suspended in the airline, and can travel through longer, more complex pathways than traditional oil lubrication. They allow extremely fine control, ensuring systems are not over-lubricated and are perfect for small, rapidly moving applications.

- PGL 200 port size: 1/4" and 3/8" (ISO G/PTF)
- PGL 400 port size: 3/8", 1/2", 3/4" (ISO G/PTF)
- PG series design allows in-line installation or modular installation with other PG series products
- Flow sensor provides a nearly constant oil/air ratio over a wide range of flows
- Double safety lock bowl
- Metal bowl with prismatic liquid level indicator lens
- Lightweight polycarbonate bowl
- All round (360°) visibility of sight-dome for ease of drip rate setting
- Choice of micro fog or oil fog oil delivery systems



## Shut-Off Valves

This is a 'Ball' type rotating Safety Shut-off Valve

- PGZ 200 port size: 1/4" and 3/8" (NPT)
- PGZ 400 port size: 3/8", 1/2", 3/4" (1/NPT)
- Lockable in closed position with padlock
- PG series design allows in-line installation or modular installation with other PG series products
- 3/2 way function
- Threaded exhaust port

## Service & Maintenance Made Easy

- Easy to service
  - Units can be repaired in-line
  - Quikclamps allow for rapid 'removal and replacement' (removal from service without breaking pipework)
- High visibility sight glass shows liquid condensate level in bowl
- Quick release 'bayonet' bowls with double safety lock
- Patented 'Q' drain removes condensate with a quick, no mess 1/4 turn
- Pressure drop indicator (standard on coalescing fi filters) shows when element replacement is required
- Filters & Filter/Regulators have a unique maintenance system: Low clearance, no tools, one piece filter element removal

## Can Help Create Safe Pneumatic Systems

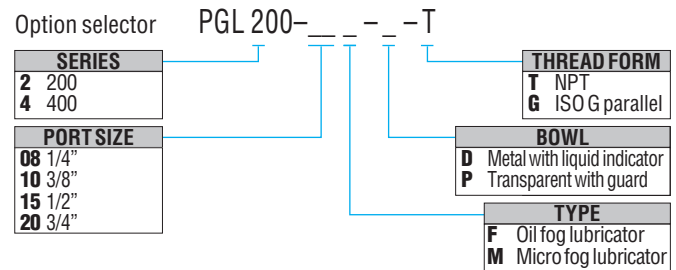
- Tamper Proof options on both shut-off valve & regulator knob available using padlock accessory features
- Double safety lock on bowl
  - Bowl clip with audible click plus safety detent when pressurised
- Combined with either 18D or 51D adjustable pressure switches the system can detect when air pressure reaches an unacceptable high or low level.
- Can be combined with IMI Norgren soft start/dump valves for safe reapplication of air or system exhausting (rapid or emergency dumping of air supply)

Part numbers listed are **in Stock Now** at John Henry Foster!

### Lubricators, Metal with Level Indicator



Series	Max Pressure	Port Size NPT	Part Number
<b>Micro Fog</b>			
200	246 psi (17 bar)	1/4	PGL200-08M-D-T
		3/8	PGL200-10M-D-T
400	290 psi (20 bar)	3/8	PGL400-10M-D-T
		1/2	PGL400-15M-D-T
		3/4	PGL400-20M-D-T

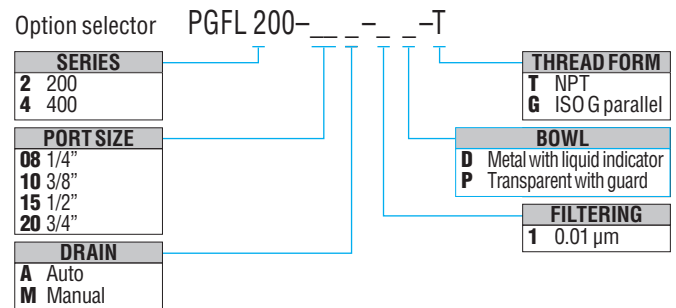


### Coalescing Filters, Metal with Level Indicator



0.01 micron partical removal

Series	Max Pressure	Port Size NPT	Part Number
<b>Manual Drain</b>			
200	246 psi (17 bar)	1/4	PGFL200-08M-1D-T
		3/8	PGFL200-10M-1D-T
400	290 psi (20 bar)	3/8	PGFL400-10M-1D-T
		1/2	PGFL400-15M-1D-T
		3/4	PGFL400-20M-1D-T
<b>Auto Drain</b>			
200	246 psi (17 bar)	1/4	PGFL200-08A-1D-T
		3/8	PGFL200-10A-1D-T
400	290 psi (20 bar)	3/8	PGFL400-10A-1D-T
		1/2	PGFL400-15A-1D-T
		3/4	PGFL400-20A-1D-T

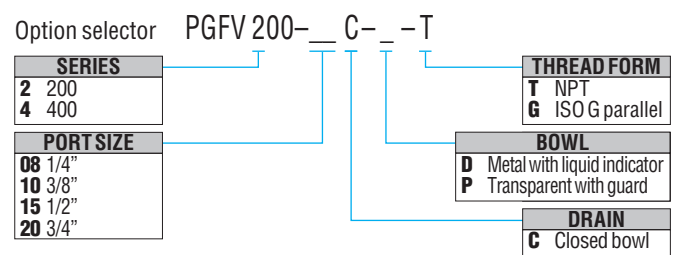


### Vapor Removal Filters, Metal with Sight Glass



Remaining oil content: 0.003 mg/m3 max

Series	Max Pressure	Port Size NPT	Part Number
<b>Manual Drain</b>			
200	248 psi (17 bar)	1/4	PGFV 200-08C-D-T
		3/8	PGFV 200-10C-D-T
400	290 psi (20 bar)	3/8	PGFV 400-10C-M-T
		1/2	PGFV 400-15C-M-T
		3/4	PGFV 400-20C-M-T



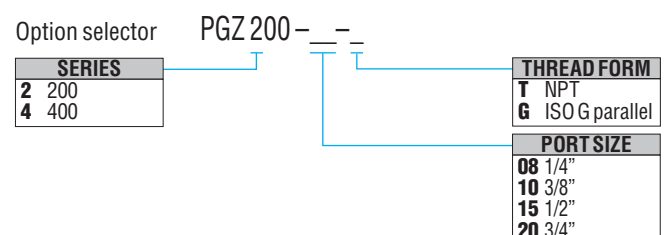
### 3/2 Shut-Off Valves



Maximum supply pressure: 290 psi  
Valve Type: Ball  
Exhaust port: 1/4 NPT  
Lockable in closed position

Series	Flow scfm	Port Size NPT	Part Number
<b>Closed Bowl</b>			
200	86	1/4	PGZ200-08-T
		3/8	PGZ200-10-T
400	343*	3/8	PGZ400-10-T
		1/2	PGZ400-15-T
		3/4	PGZ400-20-T

\* Based on 1/2" port size



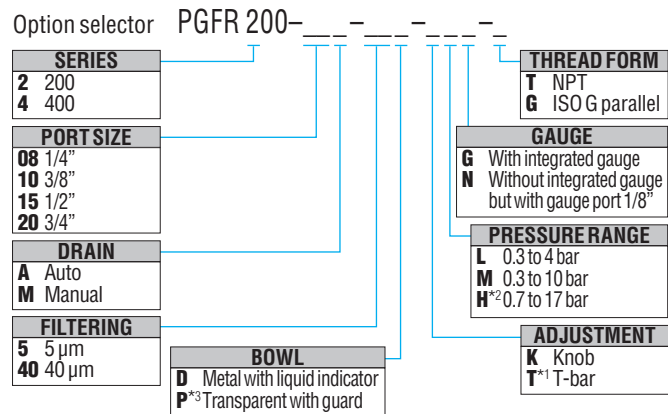
Part numbers listed are **in Stock Now** at John Henry Foster!

### Filter/Regulators, Metal with Level Indicator



Integrated pressure Gauge:  
Standard

Series	Pressure Range	Port Size NPT	Part Number
<b>Auto Drain</b>			
200	4 - 145 psi	1/4	PGFR 200-08A-40D-KMG-T
		3/8	PGFR 200-10A-40D-KMG-T
400	4 - 145 psi	3/8	PGFR 400-10A-40D-KMG-T
		1/2	PGFR 400-15A-40D-KMG-T
		3/4	PGFR 400-20A-40D-KMG-T
<b>Manual Drain</b>			
200	4 - 145 psi	1/4	PGFR 200-08M-40D-KMG-T
		3/8	PGFR 200-10M-40D-KMG-T
400	4 - 145 psi	3/8	PGFR 200-10M-40D-KMG-T
		1/2	PGFR 400-15M-40D-KMG-T
		3/4	PGFR 400-20M-40D-KMG-T



### Pressure Regulators

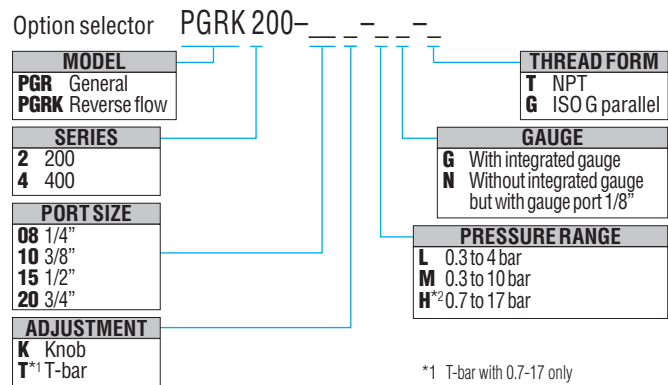


Maximum supply pressure:  
290 psi

Integrated pressure Gauge:  
Standard

\* All models shown are for flow direction left to right.

Series	Integrated Gauge	Port Size NPT	Part Number
<b>Knob Adjustment</b>			
200	0 - 145 psi	1/4	PGR200-08K-MG-T
		3/8	PGR200-10K-MG-T
400	0 - 145 psi	3/8	PGR400-10K-MG-T
		1/2	PGR400-15K-MG-T
		3/4	PGR400-20K-MG-T

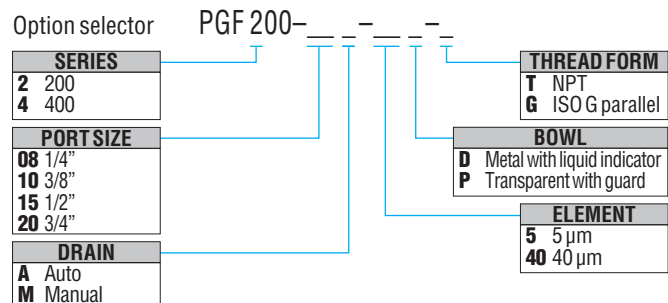


### General Purpose Filters, Metal with Level Indicator



40 micron element:  
Standard

Series	Max Pressure	Port Size NPT	Part Number
<b>Manual Drain</b>			
200	246 psi (17 bar)	1/4	PGF200-08M-40 D-T
		3/8	PGF200-10M-40 D-T
400	290 psi (20 bar)	3/8	PGF400-10M-40 D-T
		1/2	PGF400-15M-40 D-T
		3/4	PGF400-20M-40 D-T
<b>Auto Drain</b>			
200	246 psi (17 bar)	1/4	PGF200-08A-40 D-T
		3/8	PGF200-10A-40 D-T
400	290 psi (20 bar)	3/8	PGF400-10A-40 D-T
		1/2	PGF400-15A-40 D-T
		3/4	PGF400-20A-40 D-T



Part numbers listed are **in Stock Now** at John Henry Foster!

## PG200 series


Bimba AIROS Accessories

	Quickclamp		Auto Drain Kit with Metal Nut - Inch		Elastomer kit		Porous Plastic Silencer 1/4" PTF (145 psi)
<b>Part Number</b>	PGA203-P1	<b>Part Number</b>	PGF-ADRN	<b>Part Number</b>	PGR200-KIT	<b>Part Number</b>	PGZ-EX-2
	Quickclamp - Bracket Assembled		Pressure Sensing Block 1/4 PTF		Integrated 10 Bar Gauge		Sintered Bronze Silencer 1/4 PTF
<b>Part Number</b>	PGA201-P1	<b>Part Number</b>	PGA214-08	<b>Part Number</b>	PGG-200	<b>Part Number</b>	PGZ-EX-1
	Neck Mount Bracket And Panel Nut		Full Flow Porting Block 3/8 PTF		Coalescing Filter Element		Filter Cartridge 5 micron
<b>Part Number</b>	PGB201-P2	<b>Part Number</b>	PGA214-10	<b>Part Number</b>	PGF200-004-3	<b>Part Number</b>	PGF200-004-2
	Wall Mounting Bracket		Port Adaptors 1/4 PTF		Vapor Removal Filter Element		Filter Cartridge 40 micron
<b>Part Number</b>	PGB202-P2	<b>Part Number</b>	PGP200-08	<b>Part Number</b>	PGF200-004-4	<b>Part Number</b>	PGF200-004-1
	Panel Mounting Nut		Port Adaptors 3/8 PTF		Port Adaptors G1/4		
<b>Part Number</b>	PGB201-NT	<b>Part Number</b>	PGP200-10-G	<b>Part Number</b>	PGP200-08-G		



Part numbers listed are **in Stock Now** at John Henry Foster!

PG400 series  
Bimba AIROS Accessories

	Quickclamp		Auto Drain Kit with Metal Nut - Inch		Elastomer kit		Porous Plastic Silencer 1/4" PTF (145 psi)
<b>Part Number</b>	PGA403-P1	<b>Part Number</b>	PGF-ADRN	<b>Part Number</b>	PGR400-KIT	<b>Part Number</b>	PGZ-EX-2
	Quickclamp - Bracket Assembled		Pressure Sensing Block 1/4 PTF		Full Flow Porting Block 3/4 PTF		Sintered Bronze Silencer 1/4 PTF
<b>Part Number</b>	PGA401-P1	<b>Part Number</b>	PGA414-08	<b>Part Number</b>	PGA414-20-V	<b>Part Number</b>	PGZ-EX-1
	Neck Mount Bracket And Panel Nut		Full Flow Porting Block 3/8 PTF		Coalescing Filter Element		Filter Cartridge 5 micron
<b>Part Number</b>	PGB401-P2	<b>Part Number</b>	PGA214-10	<b>Part Number</b>	PGF400-004-3	<b>Part Number</b>	PGF400-004-2
	Wall Mounting Bracket		Port Adaptors 1/2 PTF		Vapor Removal Filter Element		Filter Cartridge 40 micron
<b>Part Number</b>	PGB402-P2	<b>Part Number</b>	PGP400-15	<b>Part Number</b>	PGF400-004-4	<b>Part Number</b>	PGF400-004-1
	Panel Mounting Nut		Port Adaptors 3/8 PTF		Port Adaptors 3/4 PTF		
<b>Part Number</b>	PGB401-NT	<b>Part Number</b>	PGP400-10-G	<b>Part Number</b>	PGP400-20		
	Integrated 10 Bar Gauge		Full Flow Porting Block 3/4 PTF				
<b>Part Number</b>	PGG-400	<b>Part Number</b>	PGA414-20				





Maximum supply pressure:  
290 psi  
40 micron element:  
Standard

### PGFC Filter/Regulator-Lubricator - Metal Bowl with Level Indicator,

Series	Port Size NPT	Drain	Lubricator Type	Part Number
<b>With Shutoff Valve</b>				
200	1/4	Auto	Micro fog	PGFC200-08A-MD1-T
	3/8	Auto	Micro fog	PGFC200-10A-MD1-T
400	3/8	Auto	Micro fog	PGFC400-10A-MD1-T
	1/2	Auto	Micro fog	PGFC400-15A-MD1-T
	3/4	Auto	Micro fog	PGFC400-20A-MD1-T
<b>Without Shutoff Valve</b>				
200	1/4	Auto	Micro fog	PGFC200-08A-MD5-T
	3/8	Auto	Micro fog	PGFC200-10A-MD5-T
400	3/8	Auto	Micro fog	PGFC400-10A-MD5-T
	1/2	Auto	Micro fog	PGFC400-15A-MD5-T
	3/4	Auto	Micro fog	PGFC400-20A-MD5-T

Option selector PGFC 200- - - -T

<b>SERIES</b>	<b>THREAD FORM</b>
2 200	T NPT
4 400	G ISO G parallel
<b>PORT SIZE</b>	<b>ACCESSORIES</b>
08 1/4"	1 Shut-off valve and Gauge & brackets
10 3/8"	5 Gauge & brackets
15 1/2"	<b>BOWL</b>
20 3/4"	D Metal with liquid indicator
<b>DRAIN</b>	P Transparent with guard
A Auto	<b>TYPE</b>
M Manual	F Oil fog lubricator
	M Micro fog lubricator



### SCSQ10 Series Safety Valve

Orifice (mm)	Power at 24VDC	Pressure Range	Flow 1 - 2 (l/min)	Flow 2 - 3 (l/min)	Port Sizes			Model
					1	2	3	
10	4.5 (W)	3.5 - 145	3000	5700	1/2	1/2	3/4	SCSQ101T01D02400

- Port size: 1/2 NPT or 1/2 ISO G
- Redundant valve assembly, pneumatic self monitoring with integrated safety muffler
- Requires no cyclical monitoring or evaluation system
- Integrated soft start function
- With the appropriate application, performance level "e" (cat. 4) of EN ISO 13849-1 is achieved for the safety function " Pressure building up from '1' to '2' and pressure dropping from '2' to '3'- DGUV approval
- Compatible with AIROS PG400 series air preparation products

## About John Henry Foster

John Henry Foster Company is a full-line fluid power distributor with territories covering parts of Missouri and Illinois and is the Midwest leader in fluid power sales. We have been serving our customers in Missouri and Illinois for over 75 years! Please visit [www.jhf.com](http://www.jhf.com) to learn more about us.

ISO9001-2008 Registered



**314-427-0600**

**[www.jhf.com](http://www.jhf.com)**

The John Henry Foster Company of St. Louis | 4700 LeBourget Drive | St. Louis, MO 63134-0820